

# ASFIR™

## Toyota

# 4x4

## FJ Cruiser



# FJ Cruiser

## Professional Quality Products

Asfir's variety of products is the perfect solution for accessorizing the off-road vehicle.

## ATL Winch Bumper

The innovative ATL winch bumper is designed and developed to replace the original bumper. The bumper covers the winch but is not attached to it. It has many openings to ventilate the vehicle and enables easy access to the winch for maintenance. ATL bumpers are characterized in low weight and in keeping close proximity to the vehicle's original contour lines.

## Side Protectors

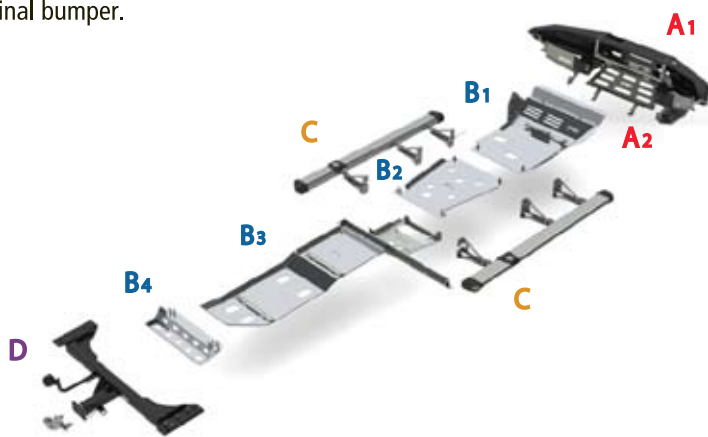
Protect the lower side of the vehicle and aid recovery with a jack. The side protectors are made of quality metal combined with aluminum side steps.

## Skid Plates

Quality skid plates for off road vehicles have one of the highest design, performance and finish standards in the world. Asfir offers various skid plates protecting the underbody parts of the vehicle such as front, gear, transfer and fuel tank. The skid plates are made of quality aluminum and are screwed to original holes in the vehicle. Service openings in the skid plates enable servicing the vehicle without dismantling the plates.

## Rear Towing Device

Asfir's towing device, mounts to the vehicle's chassis, under the original bumper.



ATL Winch Bumper



Hidden winch mount



Front skid plate



Transmission (Gear) skid plate



Fuel Tank/Transfer skid plate  
(Cannot be mounted with B4)



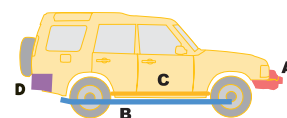
Exhaust Skid Plate  
(Cannot be mounted with B3)



Side Steps/Protectors



- Detachable tow bar (shown in picture)
- Permanent tow bar
- Detachable rear tow bar (US only)



1.2011

QUALITY 4x4 ACCESSORIES

**ASFIR LTD**  
Tel Adashim 19315, Israel  
Telephone: +972-1599-599-499\*  
+972-4-6511400

Fax: +972-4-6527742  
E mail: info@asfir.com  
www.asfir.com

\* (Israel only)



Distributed by :

