

# ASFIR<sup>TM</sup>

## Chevrolet

## 4x4

## Silverado 1500/2500/3500



# Silverado

## Professional Quality Products

Asfir's variety of products is the perfect solution for accessorizing the off-road vehicle.

### ATL Winch Bumper

The innovative ATL winch bumper is designed and developed to replace the original bumper. The bumper covers the winch, but is not attached to it. ATL bumpers are characterized in low weight and in keeping close proximity to the vehicle's original contour lines.

### Skid Plates

Quality skid plates for off road vehicles have one of the highest design, performance and finish standards in the world. Asfir offers various skid plates protecting the underbody parts of the vehicle such as front, gear, transfer and fuel tank. The skid plates are made of quality aluminum and are screwed to original holes in the vehicle.

Service openings in the skid plates enable servicing the vehicle without dismantling the plates.

### Rear Towing Device

Asfir's towing device, mounts to the vehicle's chassis, under the original bumper.



**ASFIR**  
4x4

3.2011

QUALITY 4x4 ACCESSORIES

**ASFIR LTD**

Tel Adashim 19315, **Israel**

**Telephone:** +972-1599-599-499\*  
+972-4-6511400

**Fax:** +972-4-6527742

**E mail:** info@asfir.com

www.asfir.com

\*(Israel only)



Distributed by :



# Silverado

## 2500 & 3500



**A1** ATL winch bumper  
**A2** Front bar for ATL winch bumper



Hidden winch mount



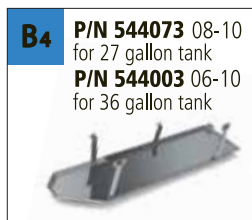
Front Skid Plate



Gear skid plate



Transfer skid plate 06-10



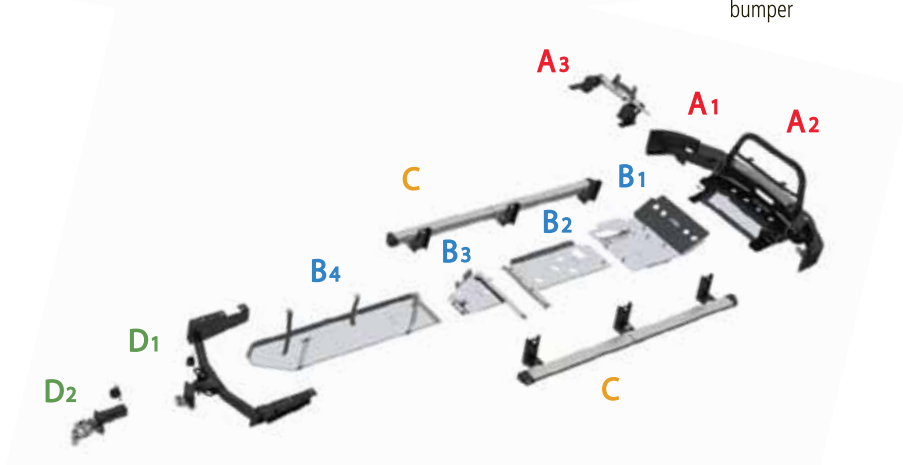
Fuel tank skid plate



Detachable towing device



Detachable tow bar for original bumper



## 1500 Model 2009 Petrol



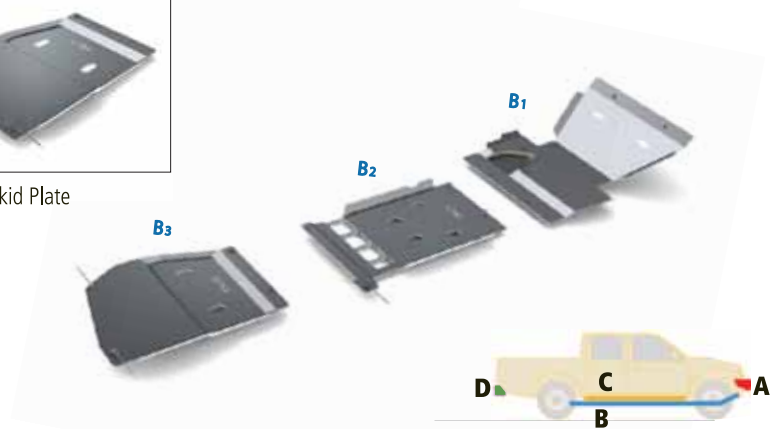
Front Skid Plate



Gear Skid Plate



Transfer Skid Plate



# Silverado

2500 & 3500



**A1**

P/N 544005



**A1**

P/N 544003

P/N 544002

**A2**



**B1**

P/N 561058

1500



**B1**

P/N 544058



**B2**

P/N 544064



**B3**

P/N 544065