

ASFIR™

Polaris

4x4

Ranger RZR s 800



Ranger RZR s 800

Professional Quality Products

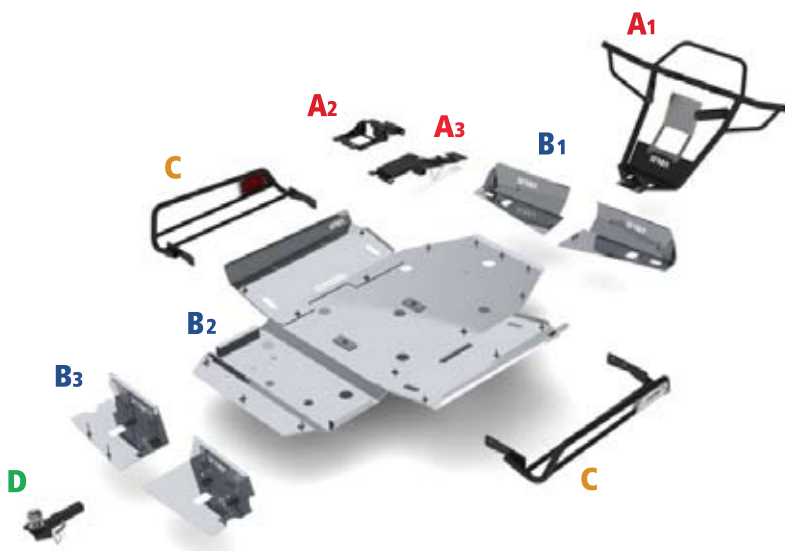
Asfir's variety of products is the perfect solution for accessorizing the off-road vehicle.

Winch Mounting System

Enables mounting a small winch to the ATV, for self recovery.

Skid Plates

The skid plates are made from top quality aluminum and provide full protection to the chassis, front A-Arms And rear a-Arms. designed by Asfir's research and development team, using the most up-to-date technology.



Front Bumper



Hidden winch mount (option1)



Portable winch plate (option2)



Front A ARM skid plate



Front lower skid plate



Rear A ARM skid plate



Side steps



Detachable tow bar



■ Seat belt mounting bracket
■ Seat belts

ASFIR
4x4

1.2011

QUALITY 4x4 ACCESSORIES

ASFIR LTD
Tel Adashim 19315, Israel
Telephone: +972-1599-599-499*
+972-4-6511400

Fax: +972-4-6527742
E mail: info@asfir.com
www.asfir.com

* (Israel only)



Distributed by :

