

ASFIR™

Discovery I&II

Professional Quality Products

Asfir's variety of products is the perfect solution for accessorizing the off-road vehicle.

ATL Winch Bumper

The innovative ATL winch bumper is designed and developed to replace the original bumper. The bumper covers the winch, but is not attached to it. ATL bumpers are characterized in low weight and in keeping close proximity to the vehicle's original contour lines.

Side Protectors

Protect the lower side of the vehicle and aid recovery with a jack. Designed by Asfir's Research & Development team and manufactured using the most up-to-date technology. The side protectors are made of quality metal and can be combined with aluminum side steps.

Skid Plates

A quality detachable towing device mounted to the vehicle's chassis under the original bumper.

Towing Device

Quality skid plates for off road vehicles have one of the highest design, performance and finish standards in the world. Asfir offers various skid plates protecting the underbody parts of the vehicle such as front, fuel tank, rear axle, steering rod and gear. The skid plates are made of quality aluminum and are screwed to original holes in the vehicle. Service openings in the skid plates enable servicing the vehicle without dismantling the plates.

4X4 Accessories

Asfir has a wide variety of accessories such as suspension seats, roll bars, front "A" bumpers recovery kits, compressors, Hi Lift jacks, recovery straps, shackles, pulley blocks and ratchets.



Land Rover 4X4 Discovery I&II



ASFIR
4X4

1.2011

QUALITY 4X4 ACCESSORIES

ASFIR LTD
Tel Adashim 19315, Israel
Telephone: +972-1599-599-499*
+972-4-6511400
Fax: +972-4-6527742
E mail: info@asfir.com
www.asfir.com

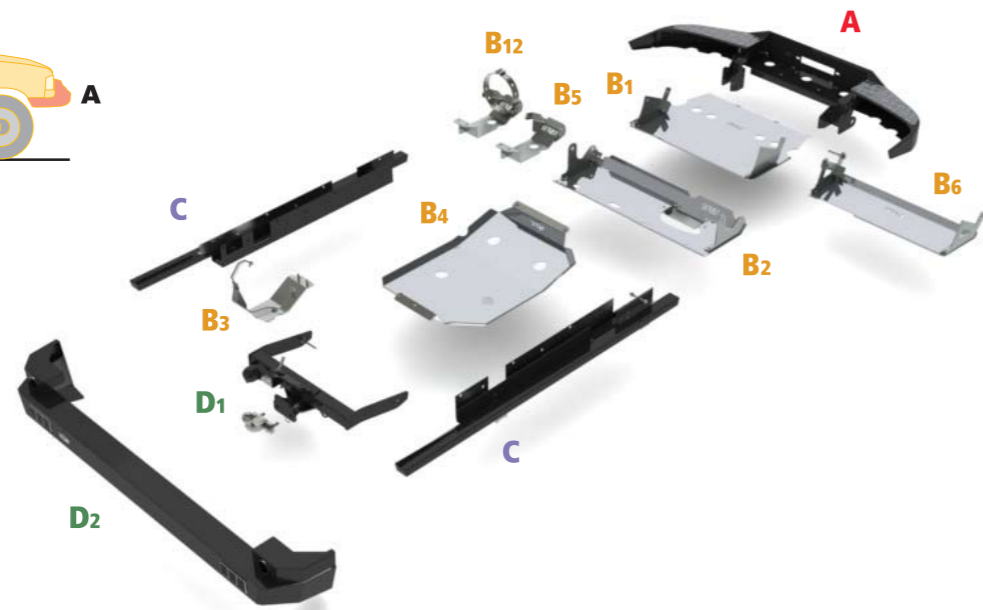
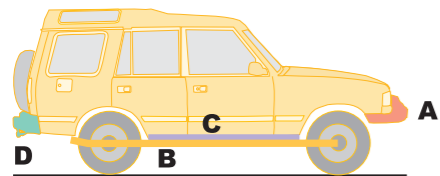
* (Israel only)



Distributed by :



Discovery I



A P/N 539002
ATL HD winch bumper



B1 P/N 539113
Steering rod protector for ATL bumper



B2 P/N 538078
Front axle protector
Cannot be mounted with B5, B12



B3 P/N 539103
Rear differential protector
Cannot be mounted with B4



B4 P/N 539070
Fuel tank skid plate
Cannot be mounted with B3



B5 P/N 538113
w/ welded brackets
Front and rear differential protector
Cannot be mounted with B2, B12



B6 P/N 538132
Steering rod protector for original bumper



B12 P/N 539114
w/ ring brackets
Differential protector
Cannot be mounted with B2, B5



C P/N 539052 (5 doors)
Square side protectors

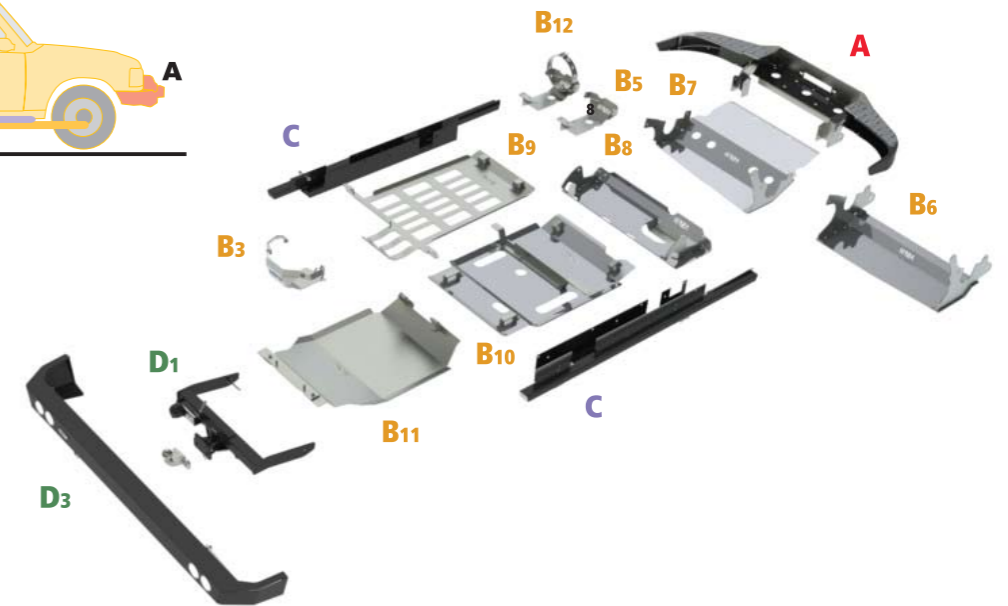
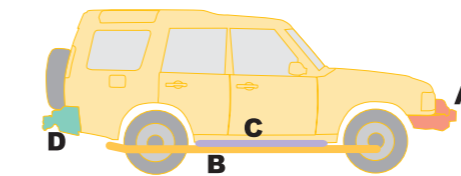


D1 P/N 539140
Detachable towing device



D2 P/N 539046
Rear Bumper

Discovery II



A P/N 539003
ATL HD winch bumper



B3 P/N 539103
Fits Salisbury axle only
Rear differential protector
Cannot be mounted with B11



B5 P/N 538113
w/ welded brackets
Front and rear differential protector
Cannot be mounted with B8, B12



B6 P/N 538104
Steering rod protector for original bumper



B7 P/N 539116
Steering rod protector for ATL HD bumper



B8 P/N 538105
Front axle protector
Cannot be mounted with B5, B12



B9 P/N 539060
Transmission (Gear) skid plate (iron)
Cannot be mounted with B10



B10 P/N 539062
Transmission (Gear) skid plate
Cannot be mounted with B9



B11 P/N 538106
Fuel tank skid plate
Cannot be mounted with B3



B12 P/N 539114
Front differential protector
Cannot be mounted with B5, B8



C P/N 539052 (5 doors)
Square side protectors



D1 P/N 539143
Detachable towing device



D3 P/N 539045
Rear Bumper